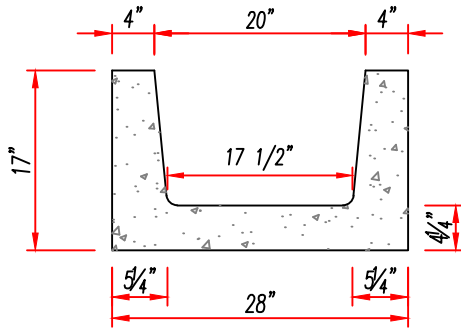
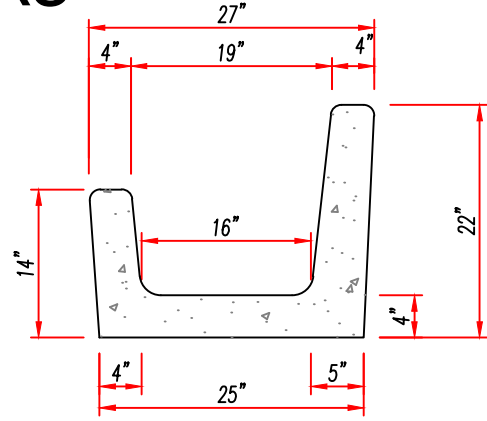


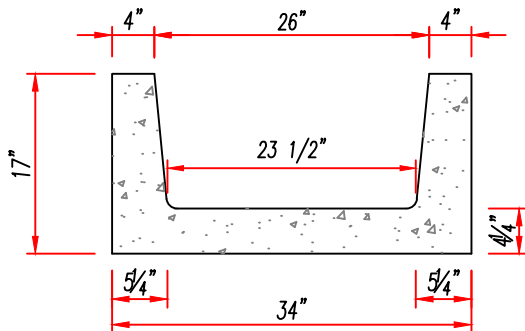
FEED BUNKS



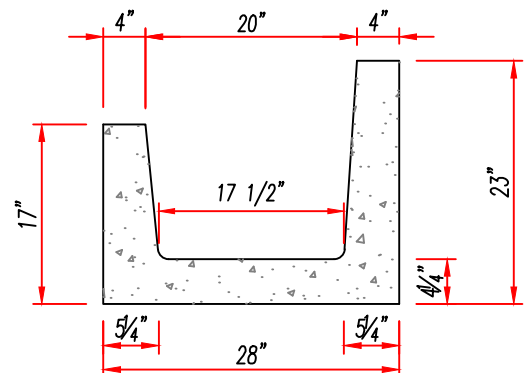
REGULAR PASTURE
8' SECTION = 2100 lbs



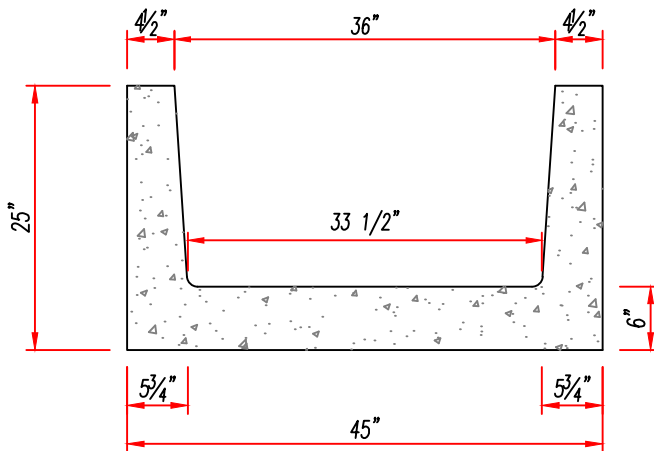
SHEEP BUNK
8' SECTION = 1770 lbs
10' SECTION = 2205 lbs



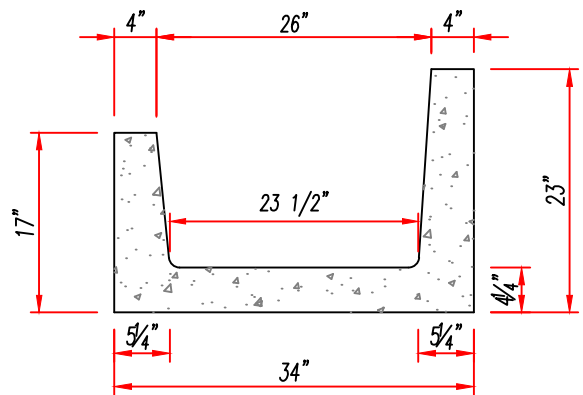
JUMBO PASTURE
8' SECTION = 2200 lbs



REGULAR FENCELINE
8' SECTION = 2280 lbs



SUPER PASTURE
8' SECTION = 5100 lbs



JUMBO FENCELINE
8' SECTION = 2500 lbs

NOTES

1. BUNKS REINFORCED WITH MESH AND REBAR
2. OPTIONS FOR BUNKS INCLUDE: LEGS, PIPE INSERTS, WELD PLATES, END CAPS

Rev. 3-11-16

